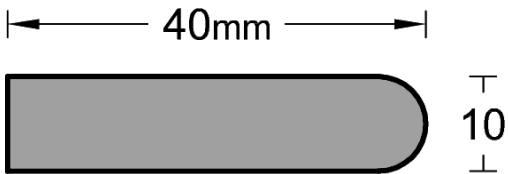
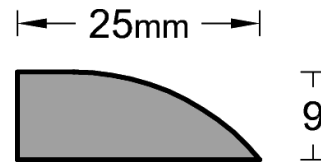


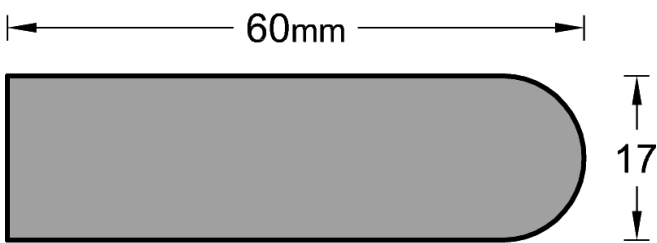
Exterior Moulding Profiles



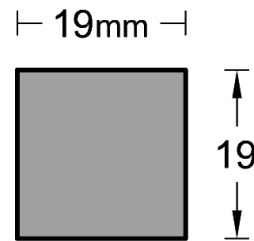
P13: Scriber



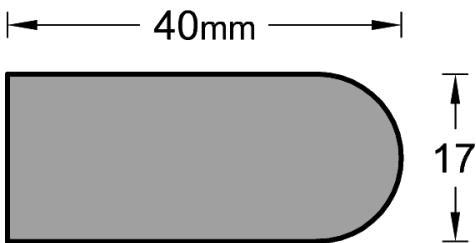
P43: Rustic Plug



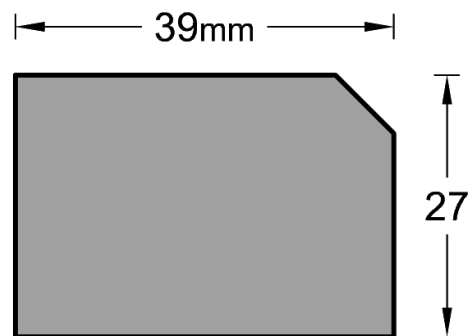
P11: Scriber



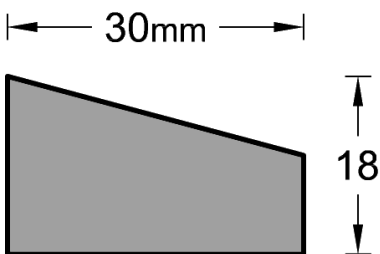
P41: Internal Corner Mould



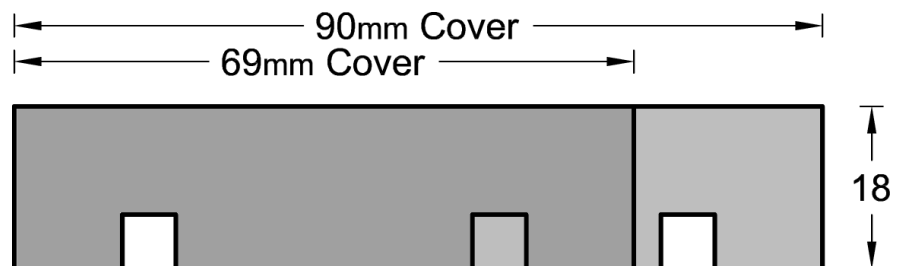
P12: Scriber



P32: Eaves Mould



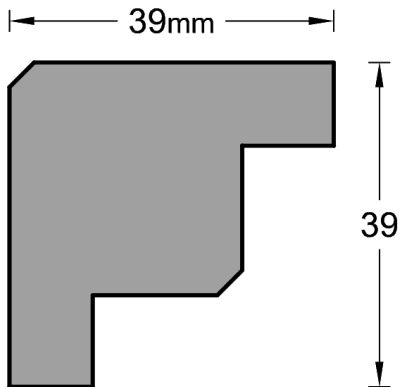
P7: Beveled Cornice



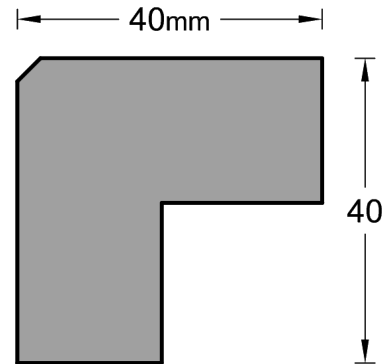
P201 / P202: Boxed Corner

* Note : Pages not to scale

Exterior Moulding Profiles



P40: External Corner Mould



P42: External Corner Mould

** Note : Pages not to scale*